



Product No
JD123A

Product Name
Rails-Pneumatic Door Closer
Size -24 CM(L) * 3 CM(W) * 5.5CM(H)

Appearance
Ontology is made of aluminum with secondary processed anpainted, then is assembled with the Rails ° The product is different with general commodities in the market with an outstanding visualization °

Colors
White, Golden, Brown, Silver(The white one is more popular than others in the market)

Features
Suitable for any door with Push/Pull and Right/Left Size
This transmission mechanism to encapsulate the
high-pressure nitrogen, so no worries of oil leakage and the appearance of oil contamination.
Installation guideline and paper-template are included in the package for end user.
The max angle allowed is 117° °

Strength when opening is 2-2.5KG. The tension will be about 1.5 KG when the angle is 45°

Suitable Door Types

General home and interior doors or aluminum doors (Weight is 30-40 KG and Width is 100CM is recommend)

This Product is not recommended to use in the outdoor area of strong winds.

Packing

Blister packaging with single piece. There are 20 pieces in a delivery box.(16*12.2*36)in
Provides the OB(D)M

List Price

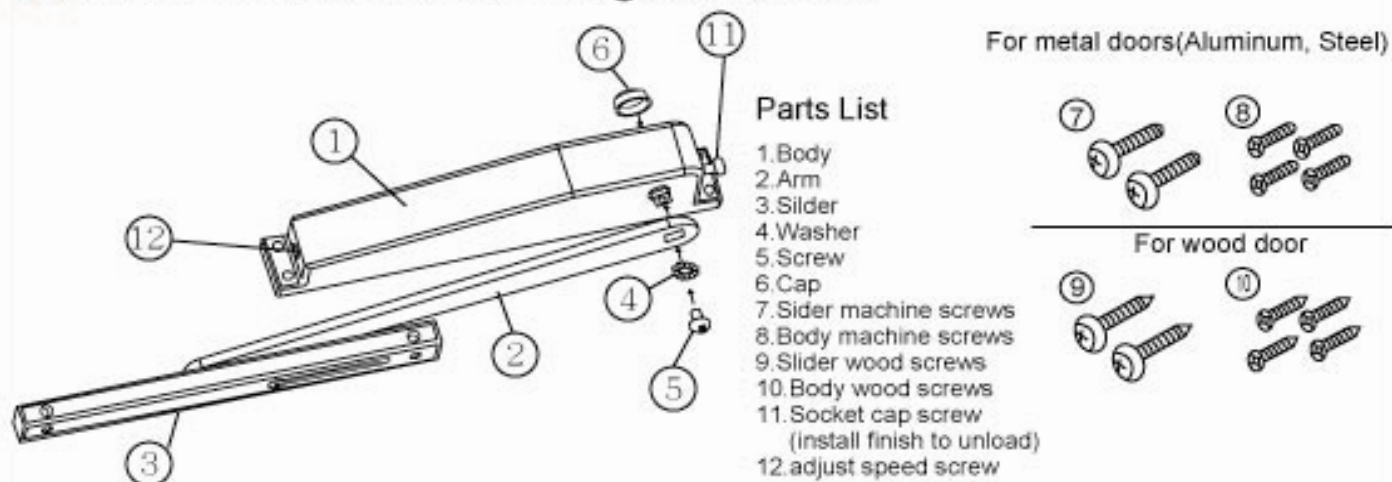
Quotation by request.

Technical appendix

INSTALLATION INSTRUCTIONS(Template A&D)

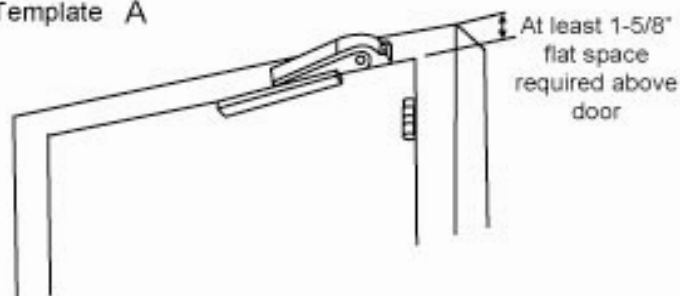
- Compare your door set-up with the five diagrams below to determine your correct configuration.
- For installing on the pull(hinge) side of door,there must be at least 1-5/8" flat space above the door.

● The door closer is set for the right-hand door.

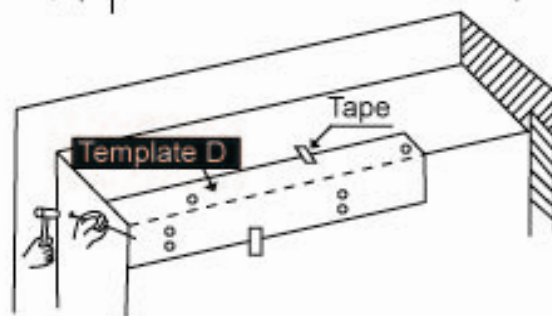
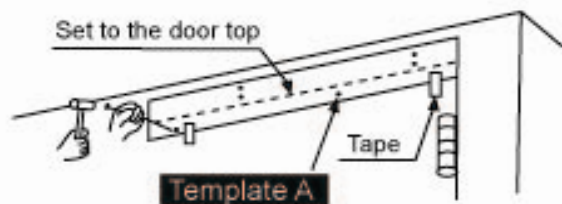
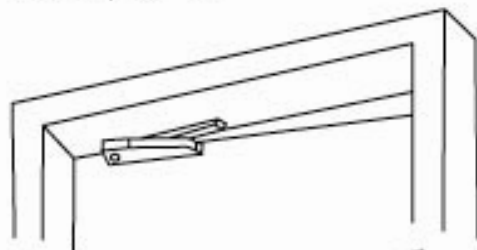


Installing Steps

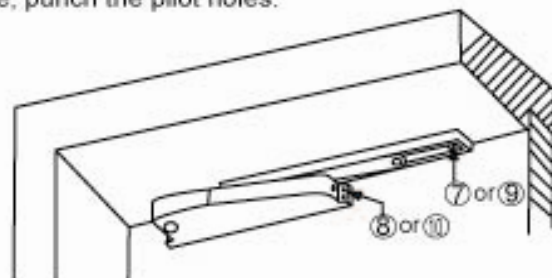
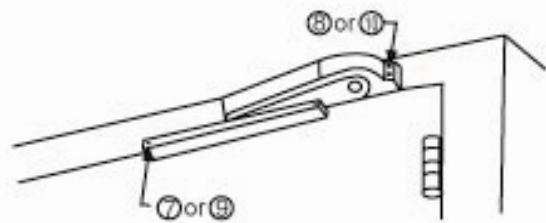
pull side of Left-hand door
Use Template A



push side of Right-hand door
Use Template D



(A)Stick on the Template by the Tape, punch the pilot holes.

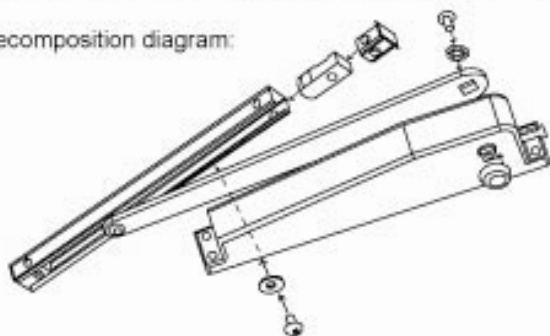


(B)Secure the body and the Slider using 6 Screws. For wood door,you may drill 1/8" holes for easier screwings.

INSTALLATION INSTRUCTIONS(Template B&C)

● If you want to install it on the left-hand door, dis-assemble and then secure the parts according to the below illustration.

decomposition diagram:



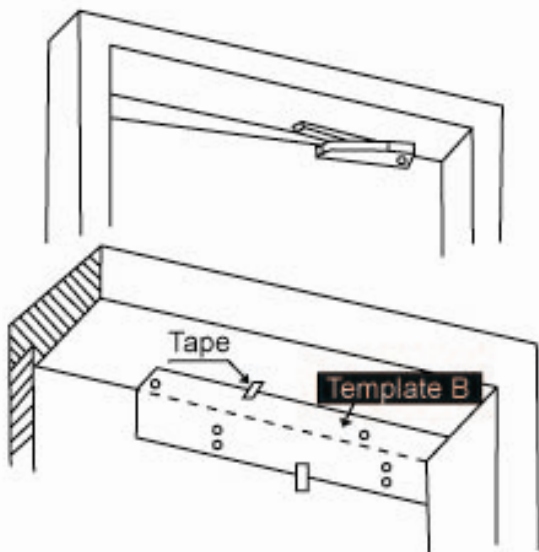
According to opens the solution step order, with stops thefiles rubber the set screw to change installs the homingposition again.



Revolves other aspect

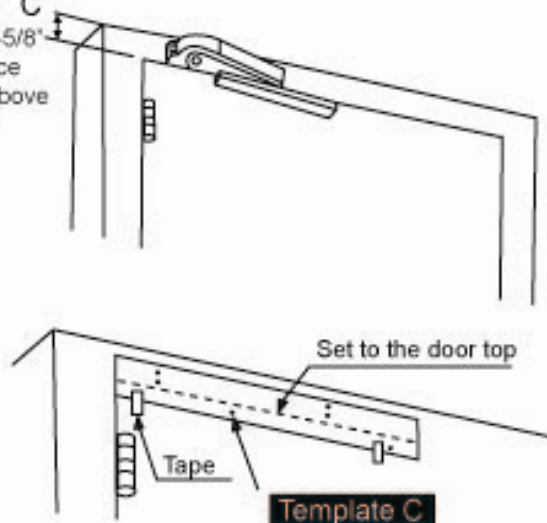
Installing Steps

push side of Left-hand door
Use Template B

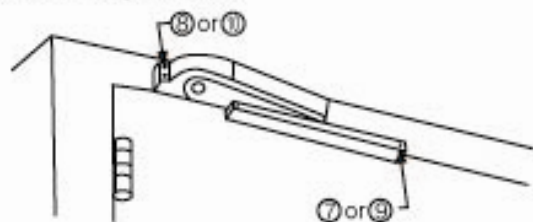
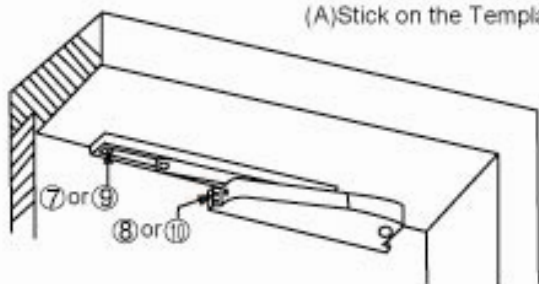


pull side of Right-hand door
Use Template C

At least 1-5/8"
flat space
required above
door



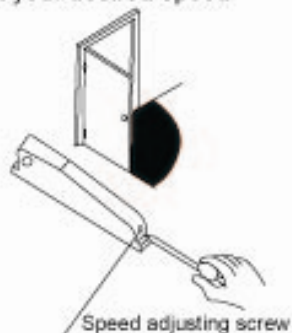
(A)Stick on the Template by the Tape,Punch the pilot holes.



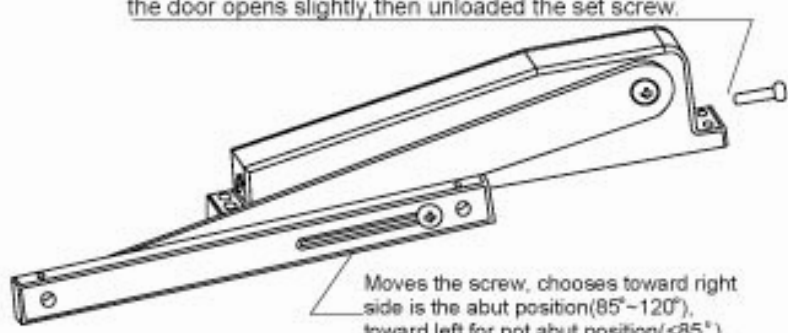
(B)Secure the Slider screws 7 or 9, then 8 or 10, For wood doors, you may drill 1/8" holes for easier screwings.

Installing finish to the below illustration adjust

Adjust your desired speed



The doorcloser installment completes,
the door opens slightly,then unloaded the set screw.



Moves the screw, chooses toward right
side is the abut position(85°-120°),
toward left for not abut position(<85°).

Contact Information

Jian-Da Industrial Enterprise.

Messenger ID:winner.yu@msa.hinet.net

Skype ID:kuta1975

E-mail:kuta1975@gmail.com